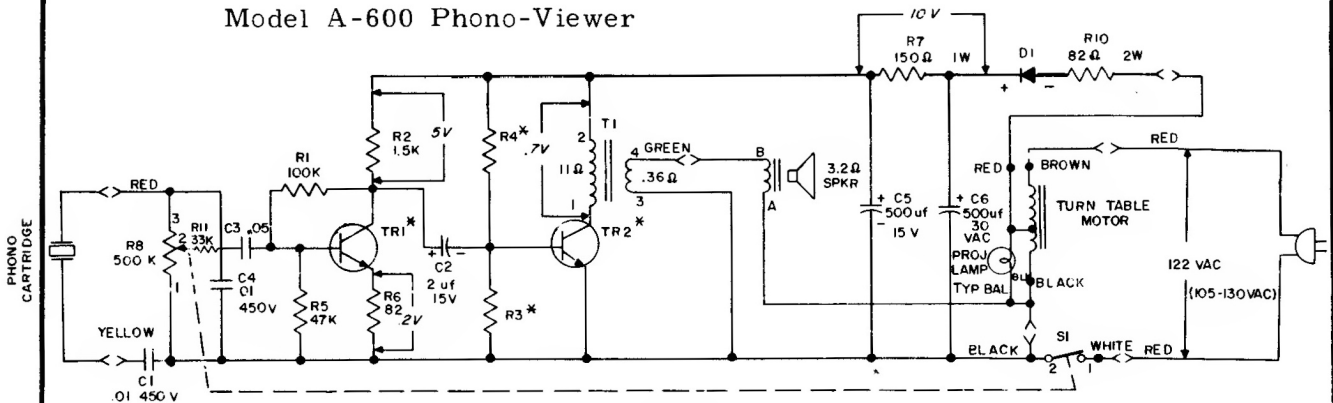


GENERAL ELECTRIC

Model A-600 Phono-Viewer

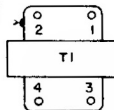


UNLESS OTHERWISE NOTED
CAPACITORS MORE THAN 1 = MMF
CAPACITORS LESS THAN 1 = MF
RESISTORS ARE 1/2 WATT, K=1000

SEE LIST FOR VALUES OF RESISTORS
R3 AND R4. (VALUES CHANGE WITH
TRANSISTOR RATINGS)

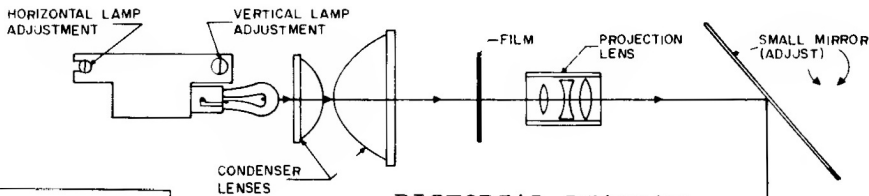
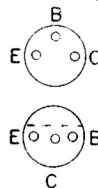
— < > — = WIRE NUT CONNECTIONS

TAB ON TOP
OVER PIN 2

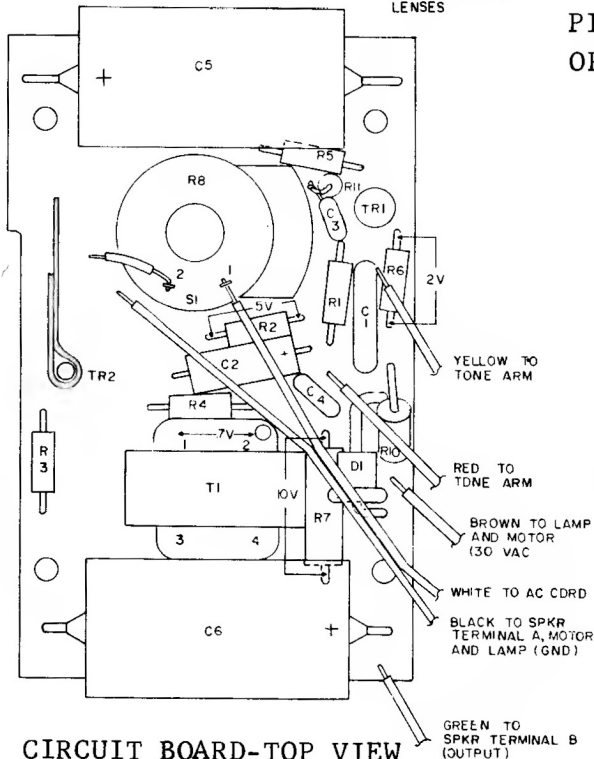


BOTTOM VIEW

TRANSISTOR
MOUNTING



PICTORIAL DIAGRAM-
OPTICAL SYSTEM



CIRCUIT BOARD-TOP VIEW

* TRANSISTORS

TR1	MAY BE EITHER RS-7501, RS-7502, RS-7503, RS-7504 OR RS-7505		
TR2	MAY BE EITHER	WITH R3 AND R4 A VALUE OF A VALUE OF	WITH HEATSHINK NO
RS-7601 OR	1K	10K	RS-6683
RS-7602 OR	1K	12K	RS-6683
RS-7603 OR	1K	12K	RS-6683
RS-7604 OR	1K	12K	RS-6683
RS-7605 OR	1K	12K	RS-6683
RS-7619 OR	1.5K	12K	
RS-7620	15K	12K	